

KIWATEK
HAKO-C138

Dimensions:

202.9(W) x 245.9 (D) x 106.0 (H) mm
 (7.99" x 9.68" x 4.17")

Front Panel:

Power SW x 1 . Power LED x 1 . HDD LED x 1
 USB x 2 . MIC x 1 . Line out x 1 . Slim CD ROM.

Drive bays:

2.5" HDD x 2 or 3.5"HDDx1

Cooling Fan:

4 cm Fan x 1

Power Input:

- A. Power input: 12V DC
 External 60W or 80W AC adapter
- B. Power input: 19V DC
 External 90W or 120W AC adapter

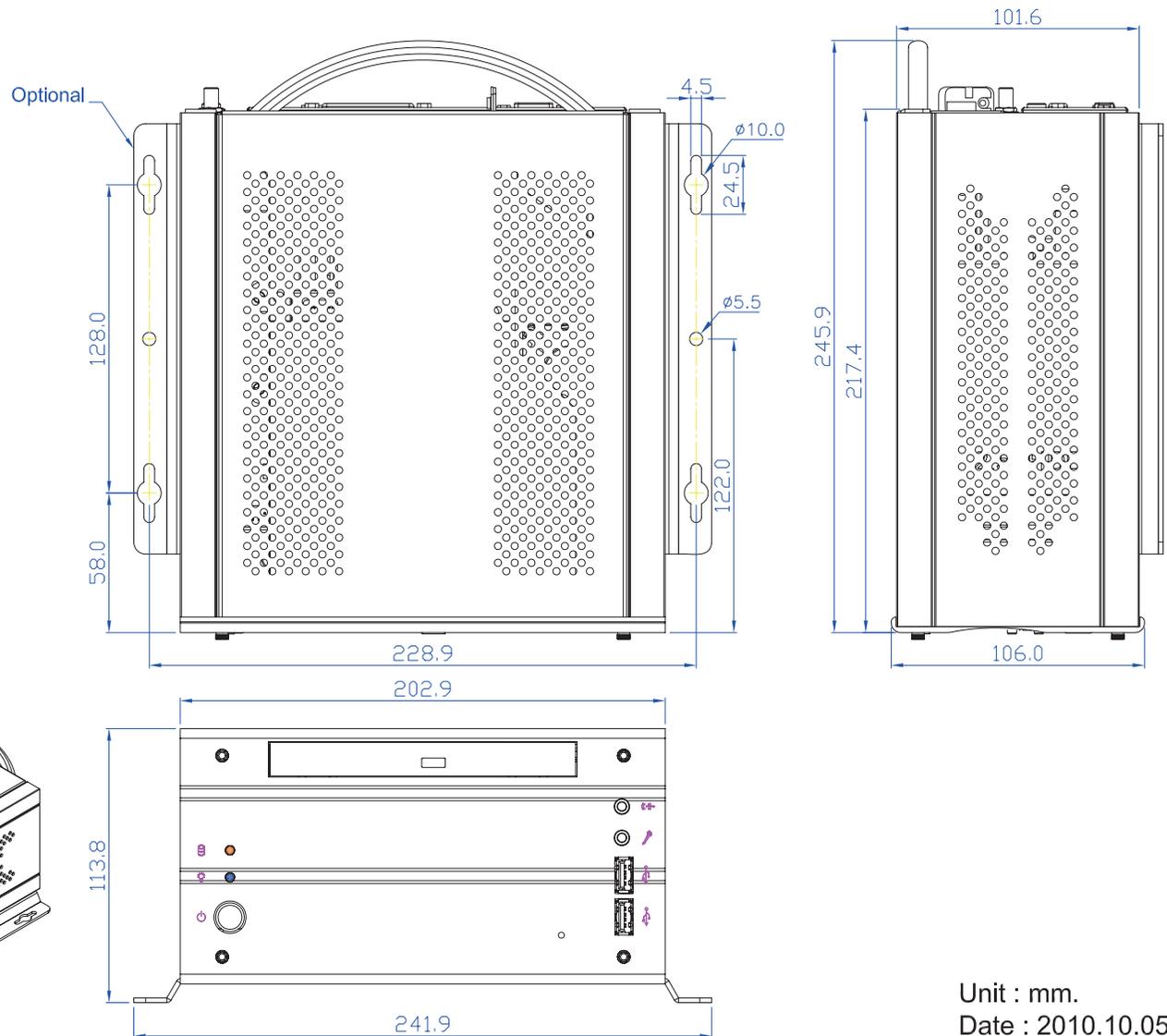
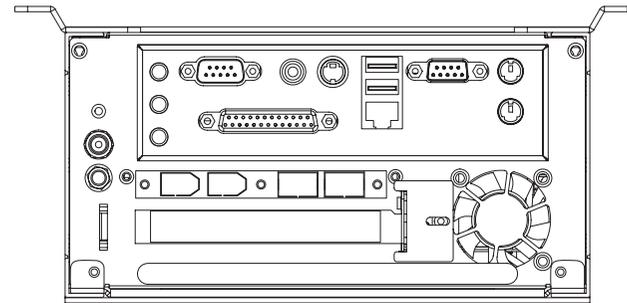
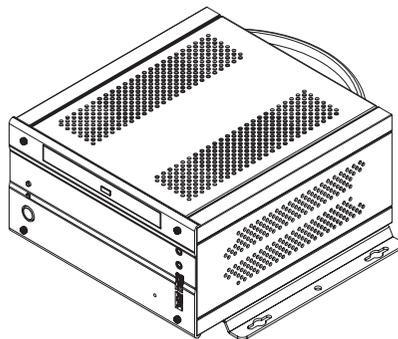
Construction:

- Aluminum chassis
- Low Noise
- Low Operation temperature

Certifications:

- CE approval
- FCC Class A

RoHS Compliant



Unit : mm.
 Date : 2010.10.05