

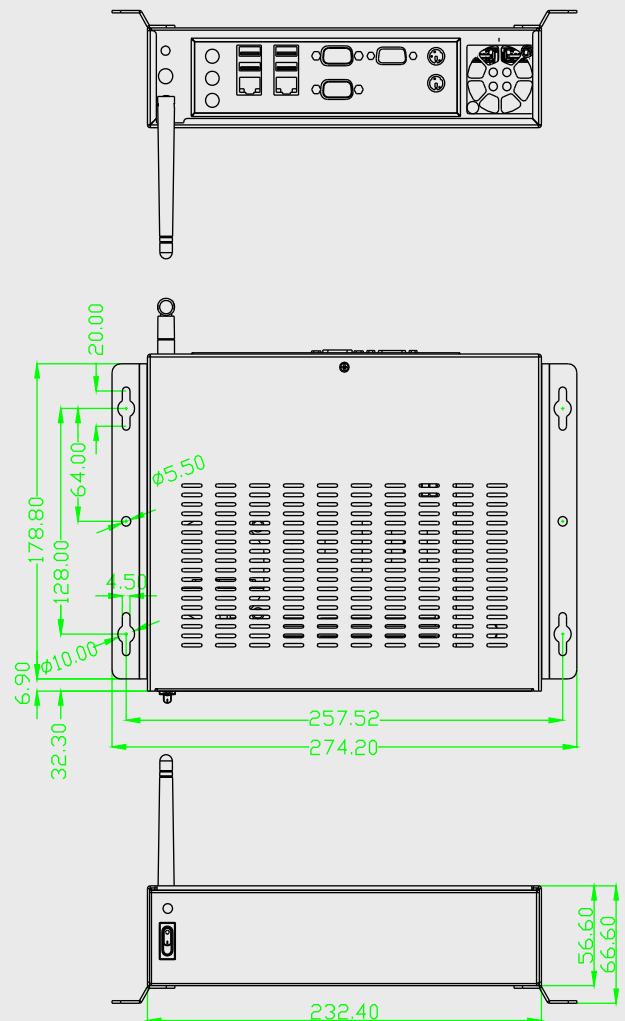
Feature :

1. Easy system integration
2. Flexiable expansion design
3. Low noise and light weight
4. Ideal for OEM/ODM projects



Specifications :

Front Panel	<ul style="list-style-type: none"> ● Power switch x 1. ● Power LED x 1.
Back Panel	<ul style="list-style-type: none"> ● Standard I/O shield (not included). ● DC Jack x 1 . ● Antenna cutoff hole x 1. ● Expansion I/O x 1
Internal Structure	<ul style="list-style-type: none"> ● Standard memory height. ● 2.5" HDD x 1 or 2 (optional)
Dimension (WxDxH)	9.15 x 7.53 x 2.24 inch (232.4 x 191.2 x 56.8 mm)
Material	Light weight aluminum alloy or CRS
Surface	Black wet paint with texture coat.
Colour	Black. Customizable colour.



Power Solutions :

Internal Power Supply	External AC adapter
C7 (80W) DC Power board	60 Watts (12V) or 80 Watts (12V)

UNIT:mm