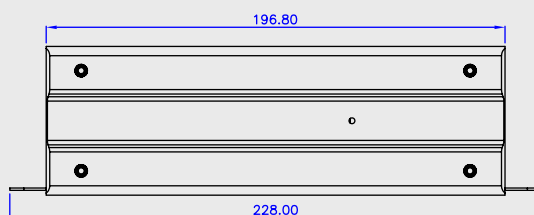
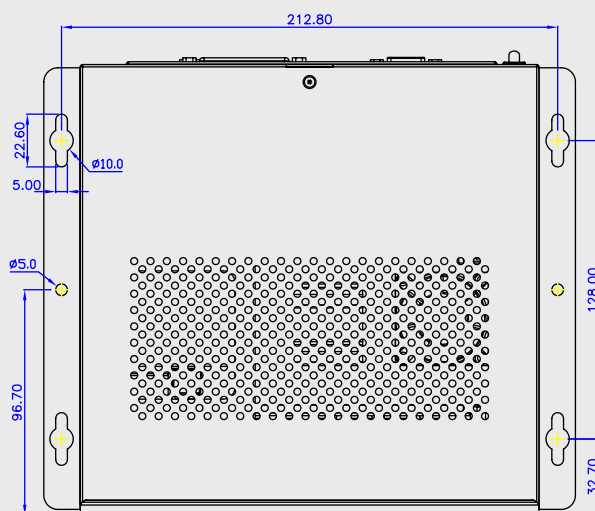
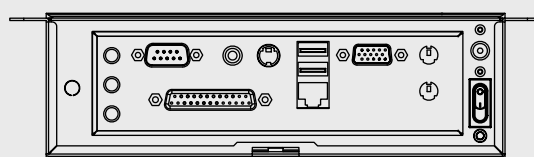


Feature :

- 1.Simple front panel design
- 2.Low noise and light weight
- 3.Easy system integration
- 4.Designed for excellent heat dissipation
- 5.Ideal for OEM/ODM projects

Specifications:

Front Panel	<ul style="list-style-type: none"> ● Simple and smooth appearance
Back Panel	<ul style="list-style-type: none"> ● Standard I/O shield (not included). ● DC Jack x 1. ● Antenna cutoff hole x 1. ● Power Switch x 1.
Internal Structure	<ul style="list-style-type: none"> ● 4cm fan x 1. ● Standard memory height. ● 2.5" HDD x1.
Dimension (WxDxH)	7.75 x 7.61 x 2.15 inch (196.8 x 193.3 x 6.38 mm)
Material	Light weight aluminum alloy extruded aluminum front panel
Surface	Aluminum front panel with anodized finish ;Black wet paint with texture coat.
Colour	Black. Customizable colour.



Power Solutions :

Internal Power Supply	External AC adapter
C7 (80W) DC Power Board	60 Watts (12V) or 80 Watts (12V)

UNIT:mm