

# KIWATEK KACE-C515 Mini-ITX MB Wallmount chassis

## Dimensions:

360.0mm(W) x 226.9mm (D) x 149.8 mm (H) (12" x 9.9" x 5.1")

## Motherboard Spec.

For Mini-ITX

## Front Panel:

Power SW ,LED,HDD LED. USB Port x 2.

## Back Panel:

Standard I/O shield (not included). Expansion PCI slot x 2.

## Drive bays:

3.5" HDD x 2

## Cooling Fan:

6 cm Fan x 2

## Power Input:

PS2 ATX 300W / 400W / 500W POWER SUPPLY

## Construction:

Metal chassis

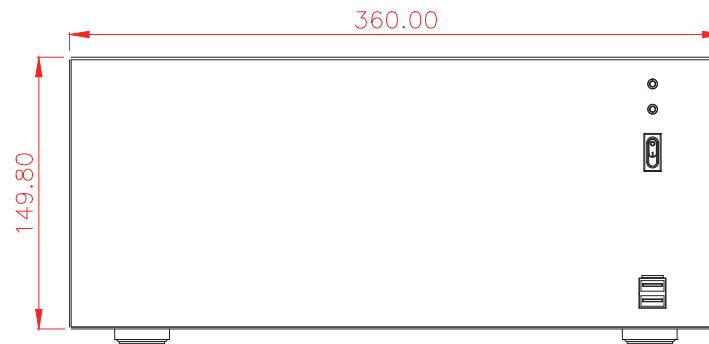
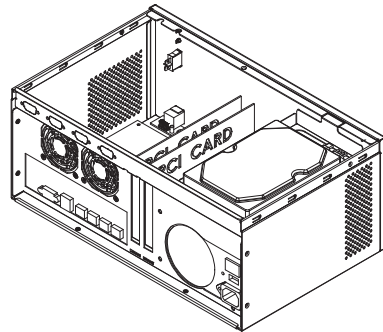
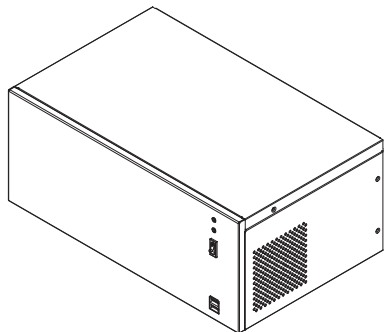
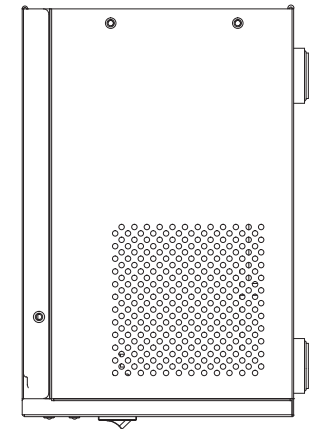
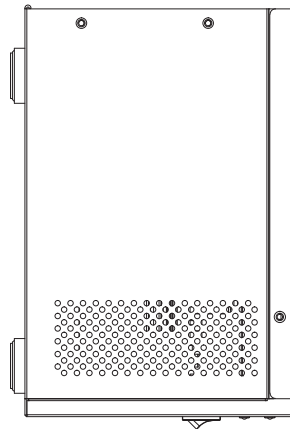
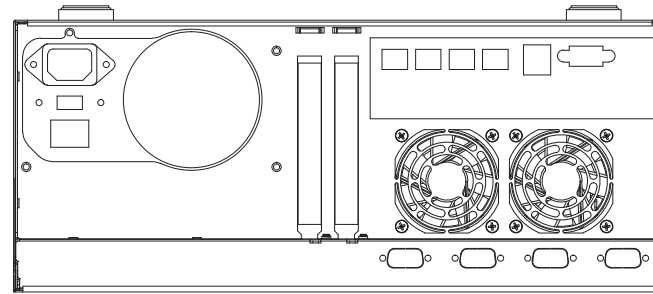
Low Operation temperature

## Certifications:

CE approval

FCC approval

## RoHS Compliant



UNIT : mm  
Rev : A  
Date : 2013.05.21  
PAGE : 1 / 1