

**Dimensions:**

178.0mm(W) x208.0mm (D) x 94.2mm (H)(7.0" x 8.2" x 3.7")

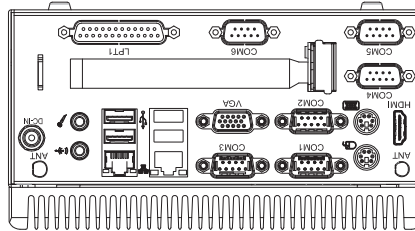
**Motherboard Spec.**

Mini-ITX

**Front Panel:**

Power SW . Power LED . HDD LED .  
USB 2.0 Port x 2 .

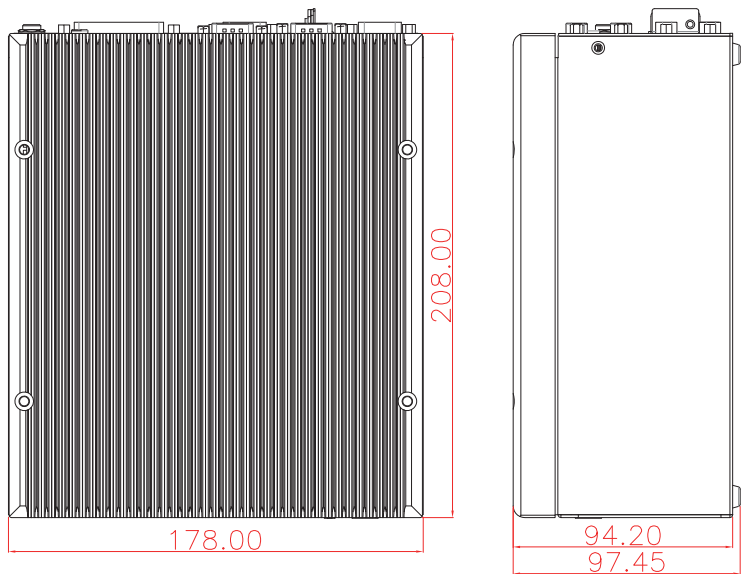
Custom design  
based on requirements:



**Back Panel:**

Custom I/O shield design  
based on M/B:

- HDMI x 1 .
- PS/2 x 2 (1 x keyboard, 1 x mouse).
- COM Port x 6 .
- VGA x 1 .
- Gigabit LAN x 2 .
- USB 2.0 Port x 2 .
- USB 3.0 Port x 2 .
- Expansion PCI/PCI-E Raw slot x 1 .
- LPT x 1 .
- ANT x 2 .
- Audio IN/OUT .
- 9-19V DC in



**Drive bays:**

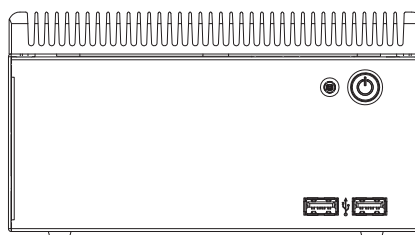
2.5" HDD x 1

**Power Input:**

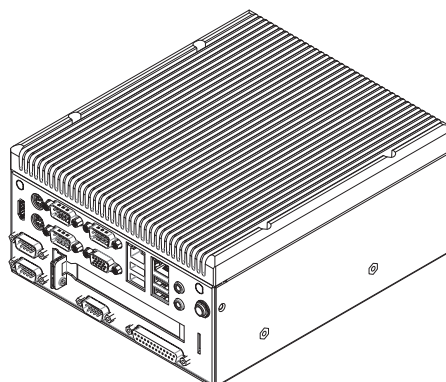
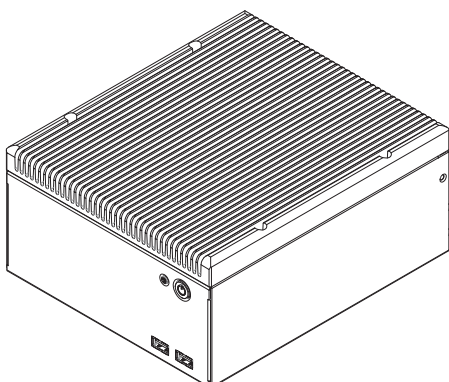
9-19V DC in

**Construction:**

- Metal chassis
- Aluminum chassis
- Low Operation temperature



**RoHS Compliant**



UNIT : mm  
Rev : A  
Date : 2017.05.02  
PAGE : 1 / 1