

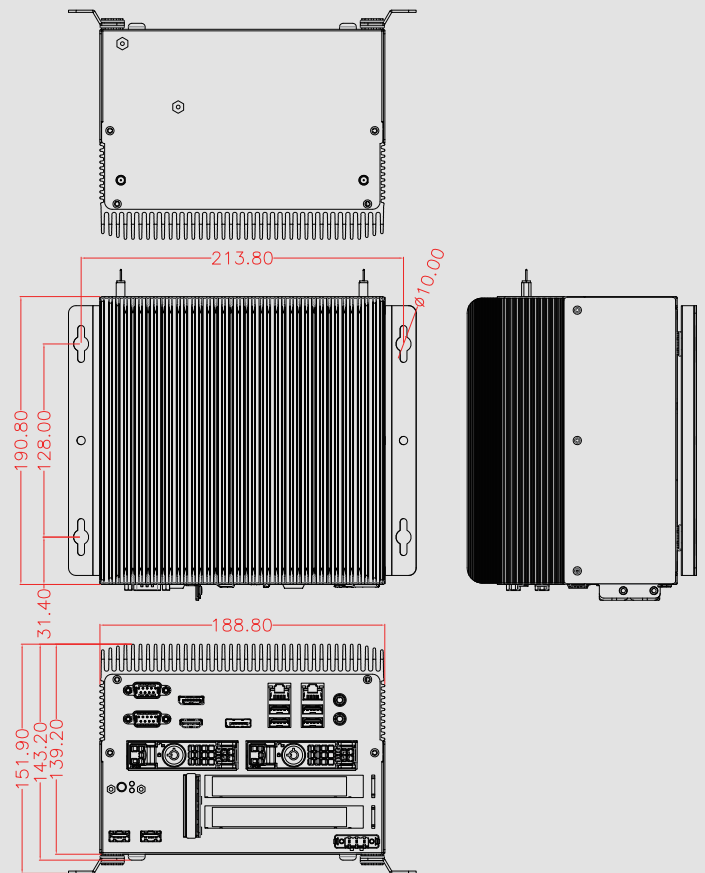
Feature :

1. For Mini-ITX ASROCK IMB-194-D M/B With CPU TDP 35W Max.
2. Simple Assembling and Easy System Integration.
3. Support Wall/ Vesa Mount Bracket.(Optional)
4. Silent and Dust-free.



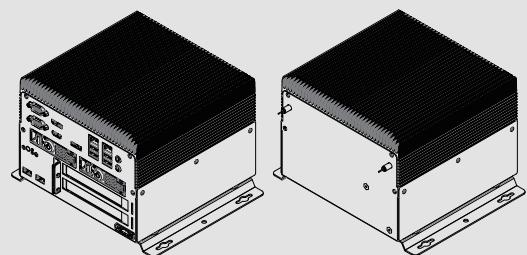
Specifications:

Front Panel	<ul style="list-style-type: none"> • Power Switch x 1. • Power LED x 1. • HDD LED x 1. • USB Port x 6. • 2.5" HDD x 2. (Full Height) • Standard I/O Shield. • Expansion Slot x 2. • Terminal Block x 1.
Back Panel	<ul style="list-style-type: none"> • ANT Hole x 2 .
Internal Structure	<ul style="list-style-type: none"> • 2.5" HDD x 1.
Accessories	<ul style="list-style-type: none"> • Vesa-mounting Bracket x 1. (Optional) • Wall-mounting Bracket x 1. (Optional)
Dimension (WxDxH)	7.43 x 7.51 x 5.64 inch (188.8 x 190.8 x 143.2 mm)
Material	SGCC
Surface	Black Wet Paint With Texture Coat.



Power Solutions :

Internal Power Supply	External AC Adapter
C7 80W DC Power Board	C7(60W): Input (AC 100~240V) Output (DC 12V@ 5A)
C7 80W DC Power Board	C7(80W): Input (AC 100~240V) Output (DC 12V@ 6.67A)



UNIT:mm