

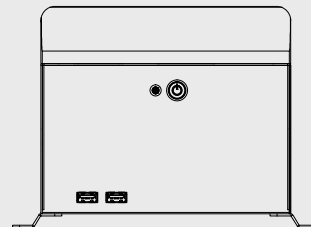
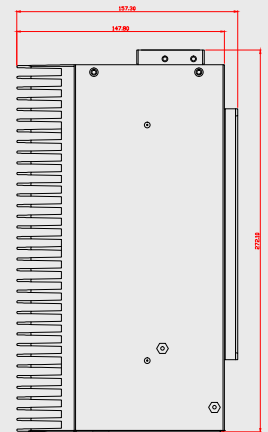
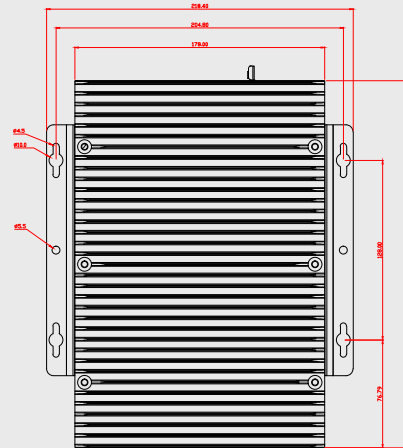
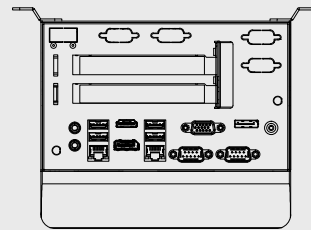
Feature :

1. For Mini-ITX with CPU TDP 45W max.
2. Support 2 x expansion slot. (PCIe or PCI)
3. Support wall-mount bracket. (Optional)
4. Silent, and dust-free.



Specifications:

Front Panel	<ul style="list-style-type: none"> ● Power switch x 1. ● Power LED x 1. ● HDD LED x 1. ● USB 2.0 Port x 2.
Back Panel	<ul style="list-style-type: none"> ● COM ports x 4 . ● ANT. x 2. ● Expansion slot x 2. ● Terminal block.
Internal Structure	<ul style="list-style-type: none"> ● 2.5" HDD x 1.
Accessories	<ul style="list-style-type: none"> ● Wallmounting bracket x 1. (Optional)
Dimension (WxDxH)	7.0 x 10.3 x 5.80 inch (178.0 x 261.6 x 147.80 mm)
Material	SGCC Anodized aluminum heatsink
Surface	Black wet paint with texture coat.



Power Solutions :

Internal Power Supply	External AC adapter
C7(80W) DC Power board	60 or 80 Watts

UNIT:mm